

VENTILATION



cataC

cata 

DOMESTIC FANS

Perimetral bathroom fans

E-100 - p.8

X-MART Matic - p. 9

X-MART - p. 10

SILENTIS - p. 11



Axial bathroom fans

B-Plus - p. 12

B-Matic - p. 13

B-Pir - p. 14

B - p. 14



Centrifugal bathroom fans

CB 100 PLUS - p. 15

CB-250 PLUS - p. 15



WALL FANS

LHV - p. 16

B - p. 17



DUCT FANS

Duct in line - p. 18

MT - p. 19

Box in line - p. 20



KITCHEN EXTRACTION

Professional 750- p. 21

Professional 500- p. 21

600 PLUS 2V - p. 21



GS 600 - p. 22

GS 400M - p. 22

GS 400 P - p. 22



DOMESTIC VENTILATION ACCESSORIES

Accessories - p. 23



LHV blind



Glass Fixing Kit



Fixed Grill



Grill on pressure



Backdraught shutter



MT support

CATA WORLDWIDE

In over 80 countries

Manufacturer of extractor fans, Cata was founded in Torelló in 1947. Since then, it has been a pioneer in extraction.

Its extensive product catalogue includes the most complete and innovative range of Domestic and Professional Extraction, as well as hand Dryers, Summer Ventilation and Electrical Heating.



Based in Torelló, in the province of Barcelona, Cata also owns factories in Sao Paulo (Brazil) and Xiao Lan (China) and is in constant international expansion thanks to its team of professionals committed to the manufacture and marketing of an extensive range of products.

Cata has reached its position as leader in the extraction market thanks to its great capacity to innovate and its ability to anticipate market needs. Over recent years, it has undergone significant growth in both the Spanish and international markets, based on excellent quality and a high degree of competitiveness in all its products.

Cata's commitment to quality has been borne out by the highest certification, ISO 9001, awarded by the Bureau Veritas Quality International and accredited by the Dutch Council for Accreditation. These international standards ensure a maximum level of quality in the design and manufacture of all products. Likewise, Cata products respond to technical and safety regulations and have been obtained the European approvals of the C. C. A. (Cenelec Certificate Agreement). As a result, Cata is currently one of the leading extraction companies in the world.

COMPREHENSIVE VENTILATION SOLUTIONS

WHAT WE OFFER

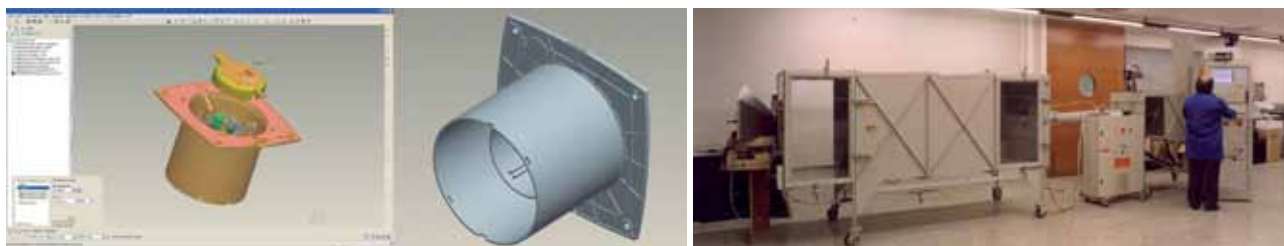
Integral ventilation solutions. Reliability, Quality, Innovation and Design. Proven experience in ventilation. International industrial capacity. Global service. And most importantly to our customers: **BENEFITS AND ADVANTAGES**

COMPREHENSIVE VENTILATION SOLUTIONS:

CATA provides subscribers, wholesalers and professionals from the sector an extensive product range, which will allow them to choose the most suitable model for every ventilation case or need, at both domestic and industrial level, and now also **models and ranges to comply with the Technical Building Code (CTE), in accordance with Royal Decree 314/2006, dated 17th March 2006.**

RELIABILITY, QUALITY, INNOVATION AND DESIGN

These concepts are basic and mandatory for **CATA** and are the main reason for all our products. For this reason, a qualified team of engineers assisted by the most modern design systems work to ensure the highest levels of quality, and of innovation, to offer highly reliable ventilation products manufactured according to the **ISO 9001/2000 standard Management System.**



PROVEN EXPERIENCE IN VENTILATION

A pioneer in the manufacturing of fans, **CATA** has over 60 years' experience in ventilation, strengthening its position as a world leader thanks to the export of proprietary technology and differentiated products.

INTERNATIONAL INDUSTRIAL CAPACITY

CATA has a very important industrial asset, with several production centres around the world equipped with the most modern technology and machinery to be able to offer efficient and competitive distribution of our products and components.



GLOBAL SERVICE

CATA has a multicultural team with a high level of training and a clear customer care and service orientation. In addition, to offer a better service, we have logistics and distribution centres and subsidiaries around the world.

AND MOST IMPORTANTLY TO OUR CUSTOMERS: BENEFITS AND ADVANTAGES

These are the main aims that the **CATA Ventilation Division** wishes to offer the distributors, customers and professionals in the sector. For this reason, we work and renew our efforts daily to ensure that these objectives are possible.

DOMESTIC FANS

Axial bathroom and toilet fans

E100 high energy efficiency



- Perimeter extraction system.
- White glass cover.
- High-performance plastic housing and impeller.
- With temperature and humidity indicator (available on Hygro model).
- Backdraught shutter (accessory).
- Fitted with 220-240 50/60Hz and 110-127V 60Hz motors, IP-44 protection and insulation class B as standard.
- 2-speed function (Hygro version only), > 1st speed: to be selected prior to installation between continuous or NON continuous working. > 2nd speed: activates when light is switched on, by activating the humidistat or the timer.

REMOVABLE WHITE GLASS FRONT

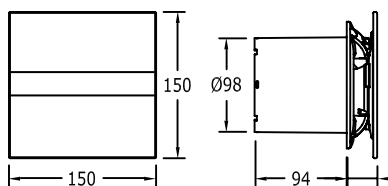


EASILY REMOVABLE
Easy and speedy removal of the cover using a single tool (included in the packaging) which is also used to adjust the timer (GT and GTH version) and the humidistat (GTH version).

EASY TO CLEAN
Extra-flat white glass cover that is easy to clean just by running a damp cloth over it.

CODE	MODEL	EAN CODE	VERSION	Ø (mm)	Voltage (V)	Speed (r.p.m)	Input Power (W)	Maximum Airflow (m³/h)	Sound Pressure Level dB(A)	Units per box
00900000	E-100 G	8422248049610	●	100	220-240	2600	8	115-32	31	6
00900100	E-100 GT	8422248049627	●	100	220-240	2600	8	115-32	31	6
00900200	E-100 GTH	8422248049634	●	100	220-240	1 ^a veloc. - 1100 2 ^a veloc. - 2600	4 8	36-10 115-32	17 31	6

DIMENSIONS mm



Versions

STANDARD
In combination with light, fans switches on.

TIMER
Electronic timer adjustable from 3 to 15 minutes.

HYGRO
Adjustable humidity detector from 40% to 95%, and adjustable electronic timer from 0 seconds to 15 minutes.

Perimetral bathroom fans, with unique automatic shutter system.

X-MART MATIC / X-MART MATIC INOX

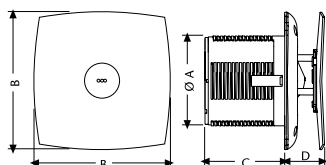


- Automatic shutter system.
- Recessed and design of a new generation.
- **QUICK FIX GRIP**, exclusive mounting system
- Front cover easy to dismantle without using any tools, easy cleaning.
- 220-240V 50/60Hz motors, protection **IP-X4** insulation class **B** and thermal cut out, ambient temperature max. 40°C.
- Plastic housing, impeller and led.
- Finishes: White / Stainless Steel.



CODE	MODEL	EAN CODE	VERSION	Ø (mm)	Voltage (V)	Speed (r.p.m)	Input Power (W)	Maximum AirFlow (m³/h)	Sound Pressure Level dB(A)	Weight (kg)	Units per box
HYGRO SERIES											
01047000	X-MART 10 MATIC INOX H	8422248003742	●	100	230	2500	15	98	38	0,78	5
01057000	X-MART 12 MATIC INOX H	8422248003773	●	120	230	2450	20	190	40	0,98	5
01067000	X-MART 15 MATIC INOX H	8422248003803	●	150	230	2100	25	320	42	1,14	5
TIMER SERIES											
01016000	X-MART 10 MATIC T	8422248003551	●	100	230	2500	15	98	38	0,65	10
01026000	X-MART 12 MATIC T	8422248003582	●	120	230	2450	20	190	40	0,82	5
01046000	X-MART 10 MATIC INOX T	8422248003735	●	100	230	2500	15	98	38	0,78	10
01056000	X-MART 12 MATIC INOX T	8422248003766	●	120	230	2450	20	190	40	0,98	5
01066000	X-MART 15 MATIC INOX T	8422248003797	●	150	230	2100	25	320	42	1,14	5
STANDAR SERIES											
01015000	X-MART 10 MATIC	8422248003544	●	100	230	2500	15	98	38	0,65	10
01025000	X-MART 12 MATIC	8422248003575	●	120	230	2450	20	190	40	0,82	5
01035000	X-MART 15 MATIC	8422248003605	●	150	230	2100	25	320	42	0,97	5
01045000	X-MART 10 MATIC INOX	8422248003728	●	100	230	2500	15	98	38	0,78	10
01055000	X-MART 12 MATIC INOX	8422248003759	●	120	230	2450	20	190	40	0,98	5
01065000	X-MART 15 MATIC INOX	8422248003780	●	150	230	2100	25	320	42	1,14	5

DIMENSIONS mm



	Ø A	B	C	D
X-MART MATIC 10	98	150	87	38 _{máx.}
X-MART MATIC 12	118	170	101	38 _{máx.}
X-MART MATIC 15	148	194	120	38 _{máx.}

Versions



STANDARD
In combination with light, fans switches on.



TIMER
Electronic timer adjustable from 3 to 15 minutes.



HYGRO
Adjustable humidity detector from 40% to 90%, and adjustable electronic timer from 0 to 15 minutes.

Perimetral bathroom fans, with unique automatic shutter system.

X-MART / X-MART INOX



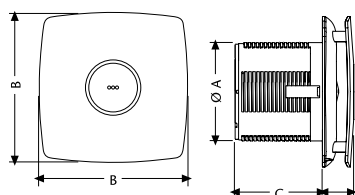
STAINLESS STEEL
VERSION

- Aerodynamic and cutting-edge design.
- **QUICK FIX GRIP**, exclusive mounting system.
- Backdraught shutters incorporated.
- Front cover easy to dismantle without using any tools, easy cleaning.
- 220-240V 50/60Hz motors, protection **IP-X4** insulation class **B** and thermal cut out, ambient temperature max. 40°C.
- Plastic housing, impeller and led.
- Finishes: White / Stainless Steel.



CODE	MODEL	EAN CODE	VERSION	Ø (mm)	Voltage (V)	Speed (r.p.m)	Input Power (W)	Maximum AirFlow (m³/h)	Sound Pressure Level dB(A)	Weight (kg)	Units per box
HYGRO SERIES											
01044000	X-MART 10 INOX H	8422248003650	●	100	230	2500	15	98	38	0,66	5
01054000	X-MART 12 INOX H	8422248003681	●	120	230	2450	20	190	40	0,87	5
01064000	X-MART 15 INOX H	8422248003711	●	150	230	2100	25	320	42	1,04	5
TIMER SERIES											
01011000	X-MART 10 T	8422248003414	●	100	230	2500	15	98	38	0,64	10
01021000	X-MART 12 T	8422248003438	●	120	230	2450	20	190	40	0,84	5
01041000	X-MART 10 INOX T	8422248003643	●	100	230	2500	15	98	38	0,66	10
01051000	X-MART 12 INOX T	8422248003674	●	120	230	2450	20	190	40	0,87	5
01061000	X-MART 15 INOX T	8422248003704	●	150	230	2100	25	320	42	1,04	5
STANDAR SERIES											
01010000	X-MART 10	8422248003384	●	100	230	2500	15	98	38	0,64	10
01020000	X-MART 12	8422248003391	●	120	230	2450	20	190	40	0,84	5
01030000	X-MART 15	8422248003407	●	150	230	2100	25	320	42	1,02	5
01040000	X-MART 10 INOX	8422248003636	●	100	230	2500	15	98	38	0,66	10
01050000	X-MART 12 INOX	8422248003667	●	120	230	2450	20	190	40	0,87	5
01060000	X-MART 15 INOX	8422248003698	●	150	230	2100	25	320	42	1,04	5

DIMENSIONS mm



	Ø A	B	C	D
X-MART 10	98	150	89,5	31
X-MART 12	118	170	103,5	32
X-MART 15	148	194	123,5	34

Versions



STANDARD
In combination with light, fans switches on.



TIMER
Electronic timer adjustable from 3 to 15 minutes.



HYGRO
Adjustable humidity detector from 40% to 90%, and adjustable electronic timer from 0 to 15 minutes.

Completely built-in bathroom fans with perimetral and central extraction system, high-performance and low noise level.

SILENTIS / SILENTIS INOX

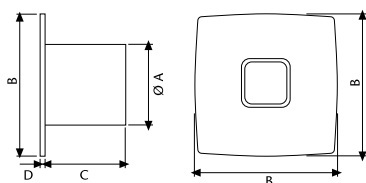


- Cutting-edge design.
- Backdraught shutters incorporated.
- Front cover easy to dismantle and to clean.
- Plastic housing and impeller and led.
- 220-240V 50/60Hz motors, protection IP-X4 insulation class B and thermal cut out, ambient temperature max. 40°C.
- Finishes: White / Stainless Steel.



CODE	MODEL	EAN CODE	VERSION	Ø (mm)	Voltage (V)	Speed (r.p.m)	Input Power (W)	Maximum AirFlow (m³/h)	Sound Pressure Level dB(A)	Weight (kg)	Units per box
SERIE TIMER											
01071000	SILENTIS 10 T	8422248016940	●	100	230	2500	15	98	37	0,64	10
01081000	SILENTIS 12 T	8422248016988	●	120	230	2450	20	190	39	0,85	5
01091000	SILENTIS 15 T	8422248017022	●	150	230	2100	25	320	41	1,02	5
01071300	SILENTIS 10 INOX T	8422248016964	●	100	230	2500	15	98	37	0,64	10
01081300	SILENTIS 12 INOX T	8422248017008	●	120	230	2450	20	190	39	0,85	5
SERIE ESTADAR											
01070000	SILENTIS 10	8422248016643	●	100	230	2500	15	98	37	0,64	10
01080000	SILENTIS 12	8422248016971	●	120	230	2450	20	190	39	0,85	5
01090000	SILENTIS 15	8422248017015	●	150	230	2100	25	320	41	1,02	5
01070300	SILENTIS 10 INOX	8422248016957	●	100	230	2500	15	98	37	0,64	10
01080300	SILENTIS 12 INOX	8422248016995	●	120	230	2450	20	190	39	0,85	5

DIMENSIONS mm



	Ø A	B	C	D
SILENTIS 10	86	140	88	10
SILENTIS 12	98	140	98	10
SILENTIS 15	118	170	100	13

Versions



STANDARD
In combination with light, fans switches on.



TIMER
Electronic timer adjustable from 3 to 15 minutes.

Axial fans for bathrooms, very slim, to be installed in ceiling or wall.

B-PLUS

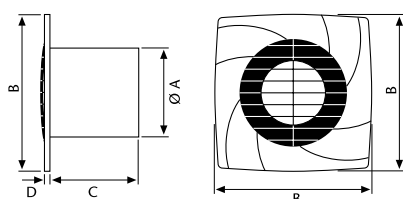


- Very slim, recessed design.
- Plastic housing and impeller.
- 220-240V 50/60Hz motors, protection **IP-X4**, insulation class **B** and thermal cut out, ambient temperature max. 40°C.
- Neon light senser in **HUMIDISTAT** version.
- Window kit not available for models and **B8 PLUS**.



CODE	MODEL	EAN CODE	VERSION	Ø (mm)	Voltage (V)	Speed (r.p.m)	Input Power (W)	Maximum AirFlow (m³/h)	Sound Pressure Level dB(A)	Weight (kg)	Units per box
SERIE HYGRO											
00981401	B10 PLUS H	8422248050876	●	100	230	2500	15	98	41	0,6	10
SERIE TIMER											
00981101	B10 PLUS T	8422248049566	●	100	230	2500	15	98	41	0,6	10
00982100	B12 PLUS T	8422248113489	●	120	230	2450	20	190	43	0,8	5
00983100	B15 PLUS T	8422248114257	●	150	230	2100	25	320	43	0,9	5
SERIE ESTANDAR											
00990000	B8 PLUS	8422248113168	●	90	230	2500	15	70	39	0,57	10
00981001	B10 PLUS	8422248047906	●	100	230	2500	15	98	41	0,6	10
00981201	B10 PLUS C	8422248049573	●	100	230	2500	15	98	41	0,6	10
00982000	B12 PLUS	8422248113472	●	120	230	2450	20	190	43	0,8	5
00983000	B15 PLUS	8422248114226	●	150	230	2100	25	320	43	0,9	5

DIMENSIONS mm



	Ø A	B	C	D
B-8 PLUS	86	140	88	10
B-10 PLUS	98	140	85	10
B-12 PLUS	118	170	100	13
B-15 PLUS	148	190	112	15

Versions



STANDARD
In combination with light, fans switches on.



TIMER
Electronic timer adjustable from 3 to 15 minutes.



HYGRO
Adjustable humidity detector from 40% to 90%, and adjustable electronic timer from 40 seconds to 15 minutes.



PULL CORD
Cord on-off switch.

**Axial fans for bathrooms,
with short tube, to be installed
in ceiling, wall or window.**

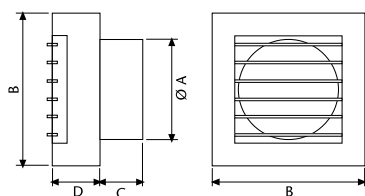
B-MATIC



- With automatic shutter.
- White finish.
- Plastic housing and impeller.
- 220-240V 50/60Hz motors, protection **IP-X4**, insulation class **B** and thermal cut out, ambient temperature max. 40°C.
- Neon light sensor in **HUMIDISTAT** and gasket to minimize vibrations.

CODE	MODEL	EAN CODE	VERSION	Ø (mm)	Voltage (V)	Speed (r.p.m)	Input Power (W)	Maximum AirFlow (m³/h)	Sound Pressure Level dB(A)	Weight (kg)	Units per box
SERIE TIMER											
00916000	B-10 MATIC T	8422248110303	●	100	230	2500	15	98	41	0,70	5
00926000	B-12 MATIC T	8422248110808	●	120	230	2450	20	190	43	0,90	5
SERIE ESTANDAR											
00915000	B-10 MATIC	8422248110204	●	100	230	2500	15	98	41	0,70	5
00925000	B-12 MATIC	8422248110709	●	120	230	2450	20	190	43	0,90	5
00935000	B-15 MATIC	8422248111102	●	150	230	2100	25	320	43	1,20	5

DIMENSIONS mm



	Ø A	B	C	D
B-10 MATIC	98	150	42	47
B-12 MATIC	118	180	45	56
B-15 MATIC	148	209	60	58

Versions



STANDARD
In combination with light, fans switches on.



TIMER
Electronic timer adjustable from 3 to 15 minutes.



HYGRO
Adjustable humidity detector from 40% to 90%, and adjustable electronic timer from 40 seconds to 15 minutes.

Axial fans for bathrooms with infra-red sensor.

B-PIR

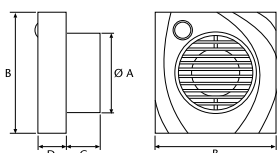


**SHORT
TUBE**

- Fitted with infra-red sensor activated by presence.
- Timer (electronic timer adjustable from 3 to 15 minutes).
- White finishing.
- Plastic housing and impeller.
- 220-240V 50/60Hz motor, protection **IP-X4**, insulation class **B** as thermal cut out, ambient temperature max. 40°C.

CODE	MODEL	EAN CODE	Ø (mm)	Voltage (V)	Sl (r.)	Speed (r.p.m)	Maximum AirFlow (W)	Sound Pressure (m ² /h)	Weight (kg) Level dB(A)	Units per box
00913000	B-10 PIR	8422248112123	100	230	2500	15	98	41	0,60	4

DIMENSIONS mm



	Ø A	B	C	D
B-10 PIR	98	150	42	35

Axial fans for bathrooms with short tube for wall, ceiling and glass (using Glass Kit accessory).

B

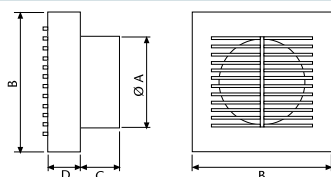


**SHORT
TUBE**

- White finishing.
- Plastic housing and impeller.
- Fitted with 220-240V 50/60Hz motors, **IP-X4** protection and class **B** as standard.
- Neon light sensor in humidistat versions.

CODE	MODEL	EAN CODE	VERSION	Ø (mm)	Voltage (V)	Speed (r.p.m)	Input Power (W)	Maximum AirFlow (m ³ /h)	Sound Pressure Level dB(A)	Weight (kg)	Units per box
SERIE TIMER											
00911000	B-10 T	8422248110105	●	100	230	2500	15	98	41	0,60	10
SERIE ESTANDAR											
00910000	B-10	8422248110006	●	100	230	2500	15	98	41	0,60	10
00920000	B-12	8422248110501	●	120	230	2450	20	190	43	0,85	5
00930000	B-15	8422248110907	●	150	230	2100	25	320	43	0,95	5

DIMENSIONS mm



	Ø A	B	C	D
B-10	98	150	42	35
B-12	118	180	45	44
B-15	148	209	60	45

Versions



STANDARD
In combination with light, fans switches on.



TIMER
Electronic timer adjustable from 3 to 15 minutes.

High-performance centrifugal bathroom fans, slim version, to be installed in ceilings or walls.

CB-100 PLUS / CB-250 PLUS



CB-100 PLUS

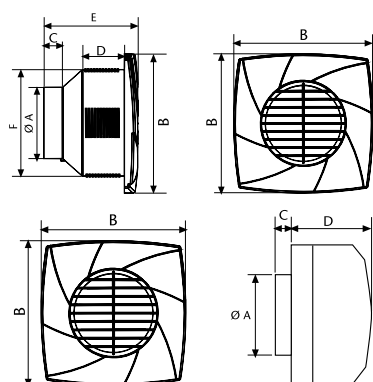


CB-250 PLUS

- **CB-100 PLUS** totally recessed.
- Finishing: white.
- **CB-250** with short tube.
- Modern slim version.
- Centrifugal impeller for high pressure, which need to be passed in longer ductings.
- Back-draught shutters included.
- Plastic housing and impeller.
- 220-240V 50/60Hz motors, protection **IP-X4**, insulation class **B** and thermal cut out, ambient temperature max. 40°C.

CODE	MODEL	EAN CODE	VERSION	Ø (mm)	Voltage (V)	Speed (r.p.m)	Input Power (W)	Maximum AirFlow (m³/h)	Sound Pressure Level dB(A)	Weight (kg)	Units per box
SERIE TIMER											
00841000	CB-100 PLUS T	8422248114394	●	100	230	2300	25	130	49	0,98	5
00851000	CB-250 PLUS T	8422248114424	●	100/120	230	2300	45	270	52	1,64	5
SERIE ESTANDAR											
00840000	CB-100 PLUS	8422248114387	●	100	230	2300	25	130	49	0,98	5
00850000	CB-250 PLUS	8422248114417	●	100/120	230	2300	45	270	52	1,64	5

DIMENSIONS mm



	Ø A	B	C	D	E	F
CB-100 PLUS	97,6	190	26	57,4	129,4	147,8

	Ø A	B	C	D
CB-250 PLUS	96/118	208	17	122

* Double outflow diameter included.

Versions



STANDARD
In combination with light, fans switches on.



TIMER
Electronic timer adjustable from 3 to 15 minutes.

WALL FANS

Helicoidal fans to be installed in walls or windows.

LHV

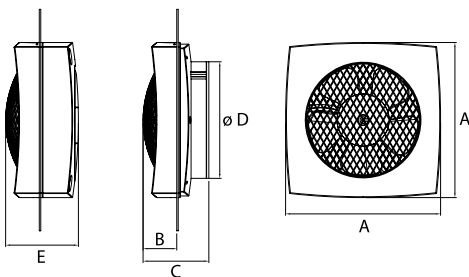


- Modern design.
- Impeller with low noise profile and high efficiency.
- Window kit included.
- Protection guard on inlet side.
- Series with 230 V, 50 motor, protection **IP-44**, insulation class **B** (type 160 IP-X4).
- Speed controlled.
- Working temperature from: -20°C to +50°C.

CODE	MODEL	EAN CODE	Ø (mm)	Voltage (V)	Speed (r.p.m)	Input Power (W)	Maximum AirFlow (m³/h)	Sound Pressure Level dB(A)	Weight (kg)	Units per box
00660000	LHV 160	8422248009324	160	230	1750	20	450	40	1,2	1
00661000	LHV 190	8422248009331	190	230	1500	30	700	42	1,7	1
00662000	LHV 225	8422248009348	225	230	1150	45	900	44	3	1
00663000	LHV 300	8422248009355	300	230	1050	50	1450	47	3,4	1

CODE	MODEL	EAN CODE	Ø (mm)	Voltage (V)	Speed (r.p.m)	Input Power (W)	Maximum AirFlow (m³/h)	Sound Pressure Level dB(A)	Weight (kg)
00664000	LHV 350	8422248009362	350	230	1300	100	1850	52	4,3
00665000	LHV 400	8422248009379	400	230	1400	215	3150	55	7,4

DIMENSIONS mm



	A	B	C	Ø D	E
LHV 160	210	46	89	160	99
LHV 190	250	54	97	194	109
LHV 225	285	61	110	229	123
LHV 300	370	77	125	315	144

Helicoidal fans to be installed in walls or windows.

B-23 / B-30

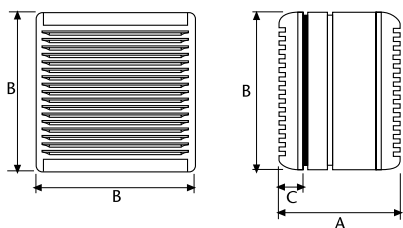


MODELO B

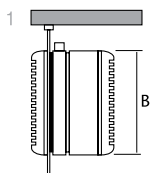
- Elegant design.
- Glass installation kit included as standard.
- Protection guard on inlet side.
- Fitted with 230V 50 Hz motors, **IP-X4** protection and class **B** as standard.
- Fully adjustable.
- Working temperatures from -20°C to +50°C.
- Model **B**: MATIC (with automatic blind).
- **RA**: Reversible with 5-speed adjuster.

CODE	MODEL	EAN CODE	Ø (mm)	Voltage (V)	Speed (r.p.m)	Input Power (W)	Max. Amps (A)	Maximum AirFlow (m³/h)		Sound Pressure Level dB(A)	Weight (kg)	Units per box
								extract	intake			
00610000	B-23	8422248120234	230	230	1350	45	0,19	825	530	49	5,19	1
00620000	B-30	8422248120241	305	230	1260	90	0,39	1900	700	51	7,45	1
00611003	B-23 RA	8422248007740	230	230	1350	45	0,19	825	530	49	5,19	1
00621003	B-30 RA	8422248007764	305	230	1260	90	0,39	1900	700	51	7,45	1

DIMENSIONS mm



	A	B	C
B-23/RA	190	340	40
B-30/RA	230	420	40



IN-LINE EXTRACTORS

In line mixed flow fans with high performance air flow capacity and low noise level.

DUCT IN-LINE



Fan:

- Housing polypropylene plastic.
- Easy accessible motor due to the motor support, which can be dismantled without interfering existing duct system. (1)

Motor:

- Asynchronous 1, 2 and 3 speeds motor, self-lubricating bearings for life.
- Protection **IP44** insulation Class **B** (not **DUCT IN-LINE 100/130**), and thermal cut out.
- External terminal box.
- 230 V at 50 and 60 Hz (**DUCT IN-LINE 100/130**, just in 50 Hz).
- Speed control possible (not timer versions).
- **TIMER** version models adjustable from 3 to 15 minutes.

Impeller:

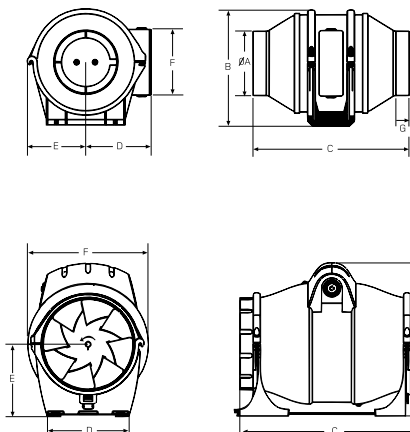
- High performance and very silence helicocentrifugal mixed flow, made in ABS plastic.
- **DUCT IN-LINE 100/130** with centrifugal impeller.

Accessories:

- Electric speed controllers **REGM**.
- Fixed plastic grills.
- Fixed plastic grills with flyscreen.

CODE	MODEL	EAN CODE	Speed (r.p.m)	Input Power (W)	Max. Amps (A)	AirFlow (m³/h)	Sound Pressure Level dB(A)	Weight (kg)
SERIE TIMER								
00771000	DUCT IN-LINE 100/130 T	8422248920742	2.200	25	0,16	130	24	1,2
00702100	DUCT IN-LINE 100/270 T	8422248021210	2.300/1.700	30/18	0,18/0,10	270/190	30/24	2,1
00703100	DUCT IN-LINE 125/320 T	8422248021234	2.300/1.700	30/18	0,18/0,10	365/250	32/26	2,1
SERIE ESTANDAR								
00770000	DUCT IN-LINE 100/130	8422248920735	2.200	25	0,16	130	24	1,2
00702000	DUCT IN-LINE 100/270	8422248021203	2.300/1.700	30/18	0,18/0,10	270/190	30/24	2,1
00703000	DUCT IN-LINE 125/320	8422248021227	2.300/1.700	30/18	0,18/0,10	365/250	32/26	2,1
00704000	DUCT IN-LINE 150/560	8422248021241	2.700/2.000	80/60	0,36/0,27	595/420	33/27	3,2
00705000	DUCT IN-LINE 160/560	8422248021265	2.700/2.000	80/60	0,36/0,27	595/420	33/27	3,2
00706000	DUCT IN-LINE 200/910	8422248021289	2.700/2.000/1.800	85/65/55	0,34/0,27/0,24	910/820/720	39/34/32	4,5

DIMENSIONS mm

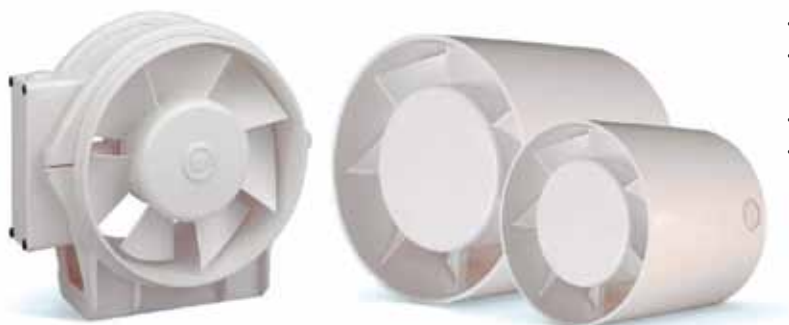


	ØA	B	C	D	E	F	G
DUCT IN LINE 100/130	98	177	238	99,5	89,2	100	20
DUCT IN LINE 100/270	98	217	262,4	100	100	168,3	21,3
DUCT IN LINE 125/320	122	217	262,4	100	100	168,3	21,3
DUCT IN LINE 150/560	147	244	293,4	130	115	192,3	21,3
DUCT IN LINE 160/560	157	244	313,4	130	115	192,3	21,3
DUCT IN LINE 200/910	197	278,5	353,6	142	140	230,2	51,5



Duct fans for installation in rigid and flexible tubes.

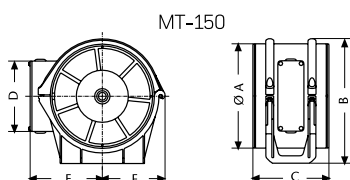
MT



- Very silent fans.
- Plastic housing and impeller.
- All models and versions fitted with 220-240V 50/60Hz motors, **IP-X2** protection and class **B** as standard.
- Mounting support for 100 and 100 T is optional.
- White finishing.

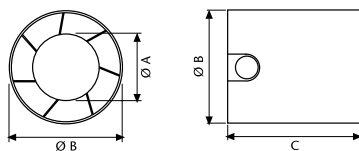
CODE	MODEL	EAN CODE	VERSION	Ø (mm)	Voltage (V)	Speed (r.p.m)	Input Power (W)	Maximum AirFlow (m³/h)	Sound Pressure Level dB(A)	Weight (kg)	Units per box
SERIE TIMER											
00711000	MT-100 T	8422248920513	●	100	230	2500	15	98	41	0,4	10
SERIE ESTANDAR											
00710000	MT-100	8422248920186	●	100	230	2500	15	98	41	0,4	10
00720000	MT-125	8422248920520	●	125	230	2450	20	190	43	0,6	10
00730000	MT-150	8422248920797	●	150	230	2100	25	320	45	1,2	5

DIMENSIONS mm



	Ø A	B	C	D	E	F
MT-100	60	97	92	-	-	-
MT-125	65	118	96	-	-	-
MT-150	148	177	108	100	99,5	89,2

MT-100 /125



Versions



STANDARD
Works with the light switch.



TIMER
Electronic timer between 3 and 15 minutes.

In line fans with
soundproof box.

BOX IN LINE



Box:

- Sheet steel box.
- Thermal and acoustic insulation.
- Inspection door for easy access to motor and maintenance.
- Outlets according current norms and with rubber gasket in order to.
- Mounting feet for easy installation on ceiling of wall.
- Terminal box outside.

Housing:

- High efficient centrifugal fan (polypropylene) with aerodynamical design. (1)

Motor:

- External rotor, **IP-44** insulation class **B**.
- 230V 50Hz/60Hz.
- Speed controlled (not in TIMER versions).
- Maximum working temperature +50°C.

Impeller:

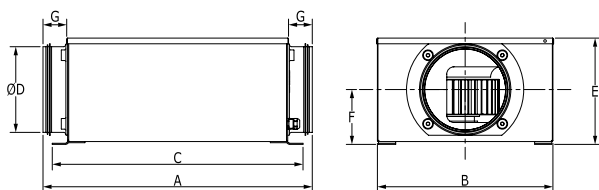
- Forward curved impeller directly mounted on motor shaft.

Accessories:

- Electrical speed controllers **REGM**.

CODE	MODEL	EAN CODE	Speed (r.p.m)	Input Power (W)	Max. Amps (A)	Maximum AirFlow (m³/h)	Sound Pressure Level dB(A)	Weight (kg)
00722000	BOX IN-LINE 100	8422248018081	2.220	0,08	0,65	300	29	6
00723000	BOX IN-LINE 125	8422248018098	2.220	0,08	0,65	420	29	6
00724000	BOX IN-LINE 150	8422248018104	2.220	0,23	1,05	580	38	7
00725000	BOX IN-LINE 200	8422248018111	1.280	0,10	0,75	890	42	9

DIMENSIONS mm

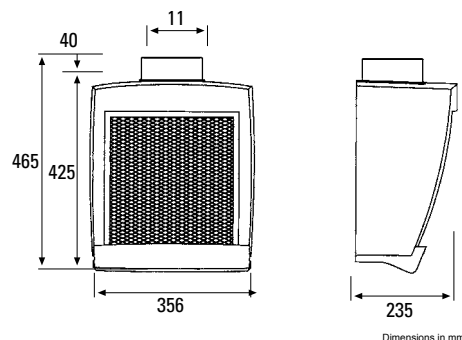


	A	B	C	Ø D	E	F	G
BOX IN-LINE 100	505	285	419	100	166	86	70
BOX IN-LINE 125	445	285	419	125	166	86	40
BOX IN-LINE 150	471	309	439	150	186	96	42
BOX IN-LINE 200	530	404	484	200	246	124	50

KITCHEN EXTRACTION

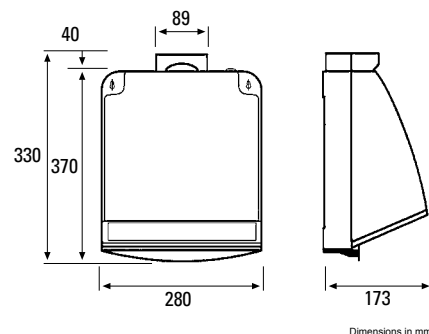
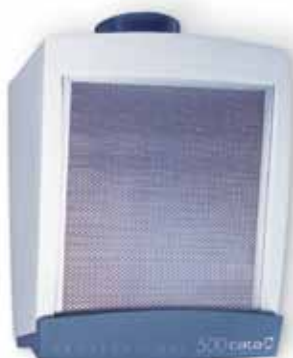
Centrifugal extract fan for kitchens.

PROFESSIONAL 750/750L



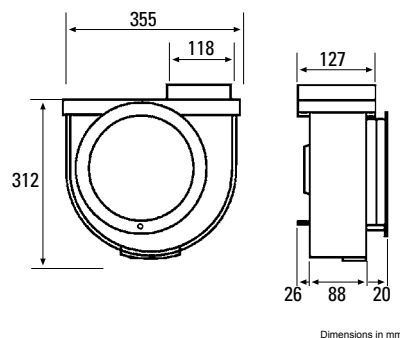
CODE	MODEL	EAN CODE	Ø (mm)	Voltage (V)	Speed (r.p.m)	Input Power (W)	Maximum AirFlow (m³/h)	Sound Pressure Level dB(A)	Weight (kg)	Units per box
00117000	PROFESSIONAL 750	8422248100816	120	230	1.200	125	700	49	5	3
00117100	PROFESSIONAL 750 L	8422248100823	120	230	1.200	125	700	49	5	3

PROFESSIONAL 500



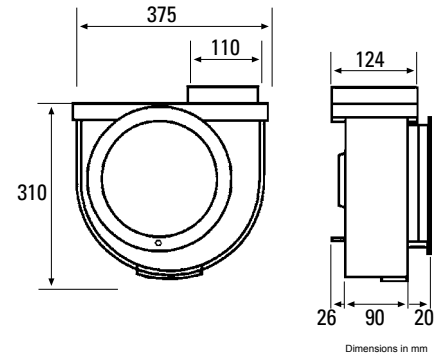
CODE	MODEL	EAN CODE	Ø (mm)	Voltage (V)	Speed (r.p.m)	Input Power (W)	Maximum AirFlow (m³/h)	Sound Pressure Level dB(A)	Weight (kg)	Units per box
00117400	PROFESSIONAL 500	8422248010832	100	230	1.900	150	450	57	2,09	4

600 PLUS 2V



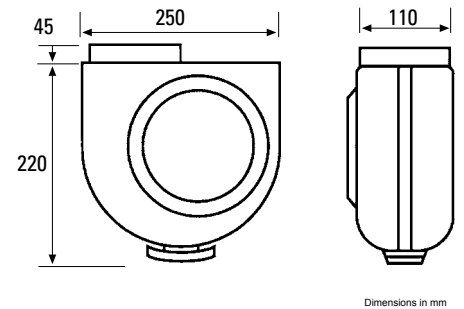
CODE	MODEL	EAN CODE	Ø (mm)	Voltage (V)	Speed (r.p.m)	Input Power (W)	Maximum AirFlow (m³/h)	Sound Pressure Level dB(A)	Weight (kg)	Units per box
00116110	600 PLUS 2 VEL.	8422248006316	120	230	1.185	105	420/600	52	4	4

Centrifugal extract fan for kitchens.
GS 600



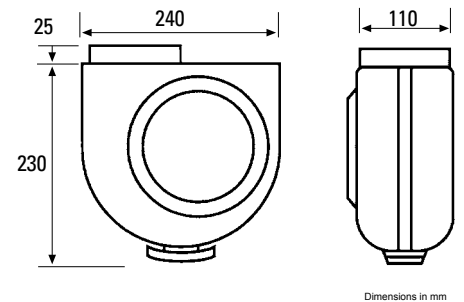
CODE	MODEL	EAN CODE	Ø (mm)	Voltage (V)	Speed (r.p.m)	Input Power (W)	Maximum AirFlow (m³/h)	Sound Pressure Level dB(A)	Weight (kg)	Units per box
00116002	GS 600	8422248100601	110	230	1.180	105	480	50	4,8	4

GS 400M



CODE	MODEL	EAN CODE	Ø (mm)	Voltage (V)	Speed (r.p.m)	Input Power (W)	Maximum AirFlow (m³/h)	Sound Pressure Level dB(A)	Weight (kg)	Units per box
00114102	GS 400M	8422248100403	110	230	2.200	60	290	52	2,98	4

GS 400P



CODE	MODEL	EAN CODE	Ø (mm)	Voltage (V)	Speed (r.p.m)	Input Power (W)	Maximum AirFlow (m³/h)	Sound Pressure Level dB(A)	Weight (kg)	Units per box
00111002	GS 400P	8422248100830	110	230	2.200	60	290	52	2,02	4

DOMESTIC VENTILATION RANGE ACCESSORIES

CODE	MODEL	Units per Box
01560160	LHV blind - 160	1
01560190	LHV blind - 190	1
01560225	LHV blind - 225	1
01560300	LHV blind - 300	1
01560350	LHV blind - 350	1
01560400	LHV blind - 400	1
01910000	GLASS FIXING KIT B-10	1
01920000	GLASS FIXING KIT B-12	1
01930000	GLASS FIXING KIT B-15	1
01910200	FIXED GRILL B-10	1
01920200	FIXED GRILL B-12	1
01930200	FIXED GRILL B-15	1
01910300	GRILL ON PRESSURE B-10	1
01920300	GRILL ON PRESSURE B-12	1
01930300	GRILL ON PRESSURE B-15	1
01990097	BACKDRAUGHT SHUTTER B-10 PLUS	1
01920600	BACKDRAUGHT SHUTTER B-12 PLUS	1
01930600	BACKDRAUGHT SHUTTER B-15 PLUS	1
01991000	MT SUPPORT-100	1

CODE	MODEL	Voltage (V)	Protection	Units per Box
01141010	SPEED CONTROLLER	220-240	IP-44	1



LHV blind



Glass Fixing Kit



Fixed Grill



Grill on pressure



Backdraught shutter



MT support

Concepts

BASIC VENTILATION CONCEPTS

WHAT IS VENTILATION?

Ventilation is understood to be the replacement of a portion of air which is considered undesirable (polluted), by another that provides an improvement both in terms of purity, and of temperature, humidity, etc.

FUNCTIONS

To maintain the air in an enclosure under suitable conditions of temperature, humidity, pressure, speed and degree of pollution to ensure the health and wellbeing of people, or living beings.

FLOW RATE

This is the amount of air displaced in a given unit of time. (The flow given in the technical specifications is at free discharge, in other words, with no pressure loss). Flow is shown as Q and is usually expressed in m³/h, although it is also commonly expressed in m³/min, m³/sec, l/s, C.F.M

$$1 \text{ m}^3/\text{h} = 3,6 \text{ l/s}$$

$$1,7 \text{ m}^3/\text{h} = 1 \text{ C.F.M}$$

The **FLOW RATE** and the section are related as follows:

$$Q = V * S = \text{m}^3/\text{h}$$

$$V = \text{Air speed (m/sec)}$$

$$S = \text{Section (m}^2\text{) of the duct}$$

$$S = \frac{d^2 * \pi}{4}$$

WHAT IS PRESSURE?

It is the pushing force per surface unit that air needs to circulate and overcome the resistance of the system (pressure losses). Pressure is given in: mmH₂O and Pa

$$9,8 \text{ Pa} = 1 \text{ mmH}_2\text{O}$$

THERE ARE THREE TYPES OF PRESSURE:

Static Pressure (Pe): This is the force of the air in all directions on the walls of the tube, in a perpendicular direction to them.

Dynamic Pressure (Pd): Is the force that accelerates the air from zero to the velocity of the system. It is manifested only in the direction of the air.

There is a formula that links dynamic pressure and speed:

$$Pd = (V / 4,04)_2$$

Speed Table with its Dynamic Pressure (table 3)

Speed (m/s)	Dynamic Pressure mmH ₂ O
1	0.06
2	0.24
3	0.55
4	0.98
5	1.53
6	2.20
7	3.00
8	3.92
9	4.96
10	6.12
11	7.41
12	8.82
13	10.35
14	12.00
15	13.78
16	15.68
17	17.70
18	19.85
19	22.11
20	24.50
21	27.01
22	29.65

Total Pressure: This is the sum between the static pressure and the dynamic pressure $P_t = P_e + P_d$

WHAT IS NOISE?

It is the audible sound, that is propagated through the air and which is unpleasant to the receiver.

The **Sound Pressure (Lp)** level is what we really hear and it varies according to the premises and the distance between the source of the noise (extractor or fan) and the receiver.

The **Sound Power (Lw)** level is the amount of sound energy of a sound source (extractor or fan) every second and it is constant, in other words, it does not vary according to the premises or the distance from the sound source.

Concepts

BASIC VENTILATION CONCEPTS

Sound pressure level (dB)		
Noise	dB	Examples
DEAFENING	120	Thunder
	110	Cannon fire Steam whistle
VERY STRONG	100	Train in a tunnel
	90	Street with dense traffic
	80	Noisy factory
STRONG	70	Noisy office
	60	Medium-sized workshop
		Radio with the volume up high
MODERATE	60	Large shop Office
	50	
GENTLE	40	Public library
	30	Country road Scrunching up paper Quiet conversation
VERY GENTLE	20	Peaceful church
	10	Silent night
	0	Hearing limit

HOW TO CHOOSE A FAN

You need to know the following parameters:

- Output
- Pressure
- Sound level
- Type of Electricity Supply

Output (Q m³/h): You have to determine the necessary flow according to:

1 • The recommended renewals with regard to the volume of the premises in m³ and the activity there.

$$Q = m^3 * \text{Renow/h}$$

RENEW./HOUR TABLE

Result of Health and Safety studies/Experience

INDUSTRIAL PREMISES

Noxious atmospheres	30-60
Goods deposit	3-6
Cast-iron	20-30
Industrial laundry	15-30
Machine room	20-30
Workshop (general)	8-10
Workshop with kilns	30-60
Tooling workshop	5-10
Paint workshop	30-60
Welding workshop	15-30
Dry cleaner	20-30

SERVICES SECTOR AND PREMISES

	NR/h
Classroom	2-4
Bank	3-4
Bar-café	10-12
Library	3-5
Cinema-theatre	10-15
Industrial kitchen	15-30
Canteen	5-10
Recording studio	10-12
Garage	6-8
Gym	6-12
Entrance hall	3-5
Hospitals	4-6
Public lavatories	8-15
Laundry	15-30
Offices	4-8
Baker's	20-30
Restaurant	5-10
Dance hall	6-8
Conference room	8-12
Hairdressing salon	10-15
Meeting room	4-8

2 • The recommended renewals with regard to the number of people that there are in the premises.

$$Q = n^{\circ} \text{ person} * m^3/h$$

Normal activity with no smoking	29 m ³ /h per person
Normal activity with smoking	58 m ³ /h per person
Light physical activity	45 m ³ /h per person
Industrial warehouses and premises	60 m ³ /h per person

Concepts

BASIC VENTILATION CONCEPTS

3● When localised extraction is required in the place where the contaminating source is, the flow (**Q**) will be determined taking the following into account:

- Surface area of the hood
- Speed of catchment
- Speed of transport by the recommended renewals system with regard to the number of people that there are in the premises.

$$Q = 3.600 \cdot V \cdot S = \text{m}^3/\text{h}$$

Q = Necessary air flow (**m³/h**)

V = Speed of catchment (**m/h**)

S = Hood or ducting section (**m²**)

LOCALISED EXTRACTION GUIDE COOKER HOODS			
Hood Class	Speed Catchment in m/sec On hood surface	Calculation per m ² of surface area of the hood	Speed of transport m/sec
4 sides open	from 1 to 1,2 m/sec.	3.500 to 4.500 m ³ /h	from 6 to 10 m/sec.
3 sides open	from 0,85 to 1 m/sec.	3.000 to 3.500 m ³ /h	
2 sides open	from 0,75 to 0,85 m/sec.	2.700 to 3.000 m ³ /h	
1 side open	from 0,5 to 0,75 m/sec.	1.750 to 2.700 m ³ /h	

cata 



CATA ELECTRODOMESTICOS, S.L.
c/ del Ter, 2 - 08570 TORELLÓ (Barcelona) SPAIN
Dpto. Com. +34 93 859 41 53
Dpto. Export. +34 93 859 41 58

Tel. + 34 93 859 41 00
Fax +34 93 859 41 01

www.cnagroup.es
cna@cnagroup.es